

Save Space Promote Sales



Compact Design

The flat and compact design of the scale helps save space at the sales counter, avoids creating an unnecessary barrier between sales staff and customers (especially thanks to the slimline screen stand), and enables employees to access items on the sales counter quickly and easily.



Visual Sales Promotions

With the UC-CTT-M you can significantly increase your turnover through targeted sales promotions for both your food and non-food ranges. Whether it's gourmet week, a salad dressing tip, or promotions for unusual foods from around the world, the UC-GTT-M stirs up your customers' appetite and puts your offers in the forefront of their minds with its attractive 12.1" customer display.



Professional Advice

Whether you want to provide information about hygiene, keep staff informed about new regulatory policies, or provide expert advice through recipe tips and information about ingredients or origin, the touchscreen is the perfect platform for innovative employee training and highlighting valuable tips for sales discussions.



Ergonomic Operation

Fast, interactive, and extremely easy to operate: the adjustable touchscreen offers exceptional ergonomics and comfort when searching for items and selecting functions. This allows your employees to work without strain, and ensures fast, error-free weighing and operating processes, even at peak times.



UC-CTT-M

High-end PC compact scale with large customer display screen

Small but effective: the PC compact scale UC-CTT-M combines the advantages of a high-performance counter scale in a flat and compact design with the benefits of a large and vivid customer display screen for presenting eye-catching sales promotions at the service counter. The UC-CTT-M can be used to present text, image, and video promotions on its customer display; run hygiene and sales training for employees using the touchscreen interface; or provide real-time access to information databases so that your customers receive the best possible sales advice at the counter. No matter what the task, the UC-CTT-M has sufficient power reserves for even the most demanding applications. What's more it supports applications from external providers and can be easily integrated into your existing IT infrastructure.

- **Compact design – ideal when space is limited**
- **Large customer display – perfect for visual sales promotions**
- **Cross-selling advertisements – strengthen margins by generating additional income**
- **Personal customer advice – a high level of expertise is persuasive**

For the Most Stringent Demands

The UC Evo Max Line is the METTLER TOLEDO PC scale family for the most stringent demands. The UC Evo Max Line can be used for a wide variety of fresh food ranges and also supports CPU-intensive applications, such as multi-media sales promotions at the point of sale. The UC Evo Max Line impresses with its exceptional network capability and capacity to support external applications.

Technical Data

UC-CTT-M

Touchscreen

- 12.1" (30.7 cm) touch-sensitive screen
- Touchscreen with LED backlight technology
- Adjustable tilt angle
- Screen resolution: 800 x 600 pixels

Customer Screen

- 12.1" (30.7 cm) screen
- Stand design
- Rotatable stand design, optional
- Screen with LED backlight technology
- Screen resolution: 800 x 600 pixels

Printer Options

- 2" (54 mm) ticket printer
- 2" (54 mm) label printer, optional
- 2" (54 mm) linerless printer, optional
- 3" (72 mm) label printer, optional

Printing speed: up to 125 millimeters/second
 Print resolution: 8 dots/millimeter (200 dpi)
 Various print options, with or without totaling
 Logos printed on ticket or label
 Printing of upper and lower case characters
 Choice of 101 print fonts
 Customizable labels

Data Storage

- 250 GB hard drive
- SSD (optional)
- 2 GB RAM
- 4 GB RAM (optional)

Further Information

Please see the application sheets for further details regarding the performance of the UC-3 software for METTLER TOLEDO PC scales and the optional METTLER TOLEDO applications.

Interfaces and Protocols

- TCP/IP Ethernet interface (10/100)
- 1 x RS232 serial interface
- 1 x RJ11 interface for controlling the cash register drawer
- 2 x USB 2.0 connections
- Integrated wireless solution for wireless data transmission according to according to IEEE 802.11b/g/n standard (optional)

Remote Maintenance and Data Communication

- InTouchSM Remote Services
- FTP (File Transfer Protocol)
- VNC (Virtual Network Computing)

Operating System

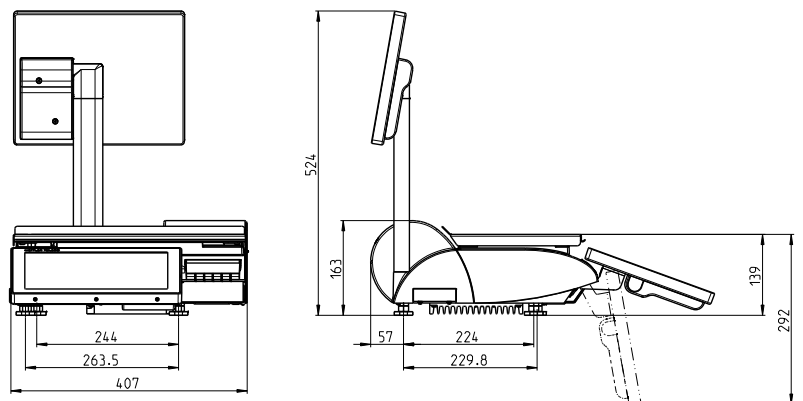
- Windows Embedded Standard 7
- Linux (optional)

Housing Colors

Silver

Weighing range*	6 kg	15 kg	3 kg/6 kg	6 kg/15 kg	12 kg	30 kg
Graduation	2 g	5 g	1 g/2 g	2 g/5 g	2 g	5 g
Minimum capacity**	40 g	100 g	20 g	40 g	40 g	100 g

* EC: Printout under minimum capacity possible, but not with price marking.
 Tare adjustment across the entire weighing range, automatic zeroing.



ISO 9001 quality management certification
 ISO 14001 environmental management certification
 Internet: <http://www.mt.com>
 Worldwide service

Subject to technical changes.
 © 09/2011 Mettler-Toledo AG
 Printed in Germany 22022892
 Global MarCom Switzerland

www.mt.com/retail

Further information

